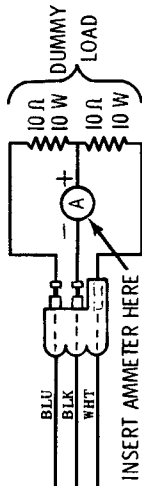


# MOTOROLA

MODEL  
MOTOROLA 04MA  
AMERICAN MOTORS 8990706

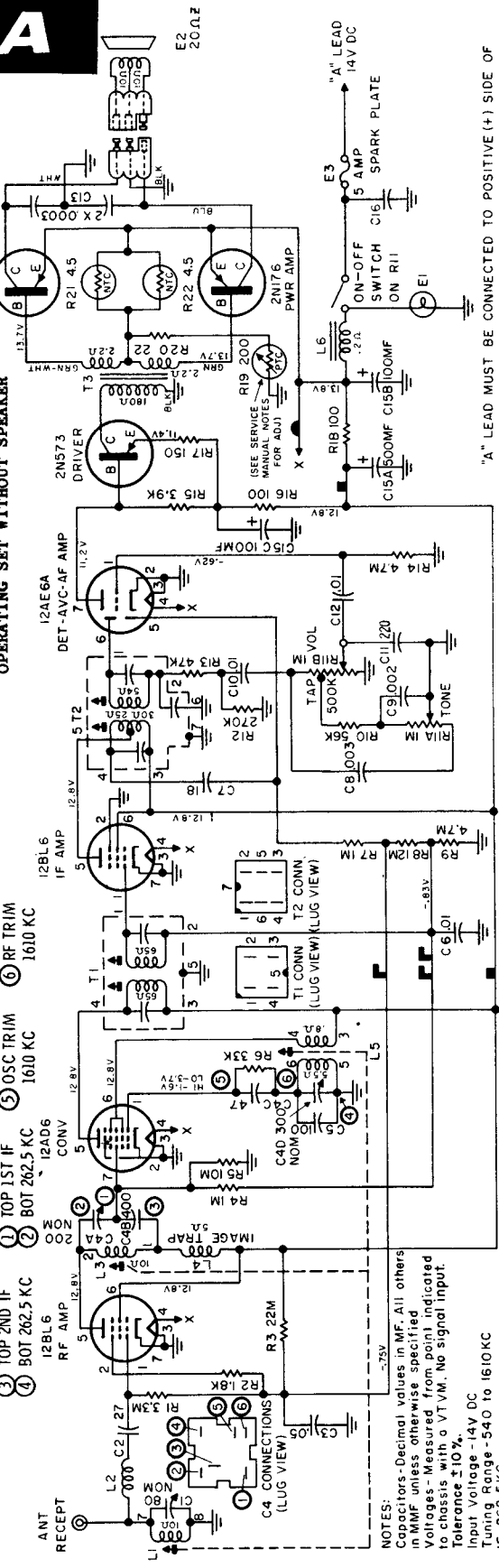
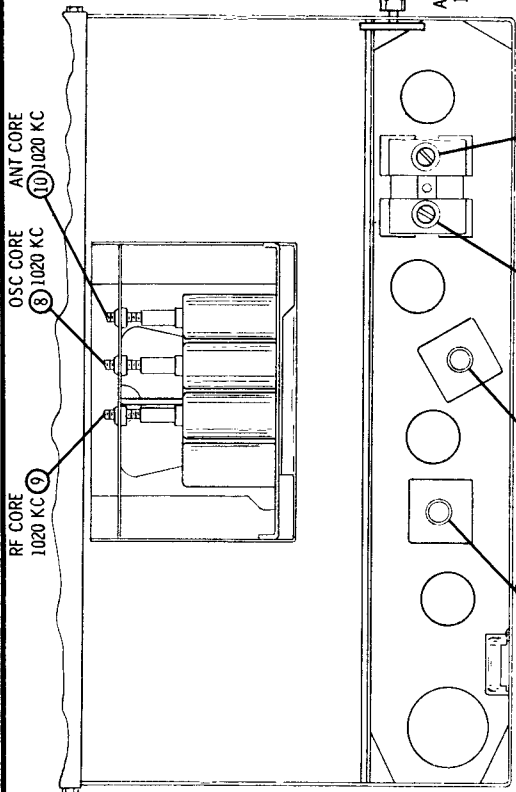
**POWER TRANSISTOR CURRENT ADJUSTMENT** - After replacing a power transistor, measure the collector current of BOTH power transistors and adjust for proper operation.

- Allow radio to warm up for 15 minutes.
- Connect a 0-1 amp DC AMMETER, whose internal resistance is .05 ohms or less in series with the center tap of a dummy load (see illustration). Connect positive side of meter to dummy load center tap; connect negative side of meter to radio chassis (ground).
- Adjust R-19 for a reading of 140 ma with 12.6 volts input to radio "A" lead.



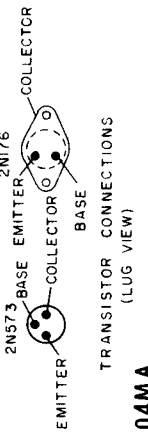
ADJUSTING TRANSISTOR CURRENT OR OPERATING SET WITHOUT SPEAKER

ALIGNMENT POINTS LOCATION DETAIL



NOTES:  
Capacitors - Decimal values in MF. All others in MMF unless otherwise specified.  
Voltages - Measured from point indicated to chassis with a VT VM. No signal input.  
Tolerance  $\pm 10\%$ .  
Input Voltage - 14V DC  
Tuning Range - 540 to 1610 KC

"A" LEAD MUST BE CONNECTED TO POSITIVE (+) SIDE OF POWER SUPPLY. RADIO WILL NOT OPERATE AND DAMAGE TO COMPONENTS WILL RESULT IF CONNECTED OTHERWISE



PLATED PANEL WIRING LEGEND  
■ = B+    ◻ = FILAMENT  
▭ = RF. AVC    ▭ = IF CONV. AVC

MOTOROLA 04MA  
AMERICAN MOTORS 8990706

